



**MORTON
MIXERS**

Ribbon Blenders



MIXING IS OUR BUSINESS



MORTON RIBBON BLENDER SHOWING THE UNIQUE DOUBLE HELIX AGITATOR

THE RIBBON BLENDER IS A VERSATILE, EFFICIENT AND COST EFFECTIVE MIXER.

MORTON MIXERS & BLENDERS LTD IS AT THE FOREFRONT IN THE DESIGN, MANUFACTURE AND APPLICATIONS TECHNOLOGY OF RIBBON BLENDERS AND HAS GAINED A WORLD WIDE REPUTATION FOR RELIABILITY AND QUALITY.

RIBBON BLENDERS CAN BE SUPPLIED TO CUSTOMER'S SPECIFIC REQUIREMENTS OFFERING THE CHOICE OF TWO DESIGN TYPES:

U-TROUGH OR CYLINDRICAL CONTAINER BOTH WITH THE UNIQUE DOUBLE HELIX RIBBON AGITATOR.

AVAILABLE FROM 8 LITRES UP TO 30,000 LITRES WORKING CAPACITY INCORPORATING ANY OF THE FOLLOWING FEATURES:

HEATING/COOLING JACKETS, INSULATION AND LAGGING, VACUUM CONSTRUCTION, FLAMEPROOF ELECTRICS, VARIABLE SPEED, ELECTRIC CONTROLS, LOAD CELLS, FOOD AND PHARMACEUTICAL SURFACE FINISHES, CIP SYSTEMS, WEAR RESISTANCE, SPECIAL INLETS AND OUTLETS.

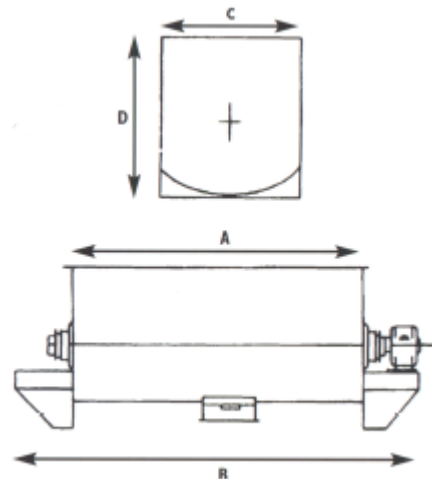
WE CAN OFFER EXCELLENT TEST AND DEVELOPMENT FACILITIES EITHER AT OUR TEST CENTRE OR ON THE CUSTOMER'S PREMISES.

WHETHER YOU MIX POWDERS, PASTES, GRANULES OR CREAMS MORTON MIXERS & BLENDERS LTD CAN SUPPLY THE RIBBON BLENDER FOR YOUR NEEDS.

RIBBON BLENDERS - SPECIFICATION						
MODEL	WORKING CAPACITY LITRES	TOTAL CAPACITY LITRES	WIDTH HEIGHT DIMENSIONS IN MM (APPROX)			
			A	B	C	D
LAB	8	10				
O	40	55	400	1020	330	440
B	160	200	960	1680	430	550
C	310	390	1220	1840	620	820
D	600	720	1520	2150	750	960
D-8	790	970	1520	2180	850	1090
D-10	1030	1260	1980	2730	850	1090
F	1620	1920	2160	2910	1000	1240
G	1820	2100	2440	3250	1000	1240
40 X 8	2250	2890	2440	3280	1130	1450
40 X 10	2800	3600	3050	3890	1130	1450
44 X 10	3400	4270	3050	3890	1230	1550
50 X 10	4390	5390	3050	3890	1410	1710
54 X 10	5120	6210	3050	3890	1510	1820
54 X 12	6140	7430	3660	4500	1520	1820
60 X 12	7590	9020	3660	4510	1700	1990
66 X 12	9180	10,760	3660	4510	1850	2150
72 X 12	10,920	12,820	3660	4510	2000	2320
72 X 16	14,560	17,100	4880	5790	2000	2320

MORTON LABORATORY RIBBON BLENDER

A UNIQUE, FREE STANDING UNIT DESIGNED FOR USE IN THE LABORATORY OR TECHNICAL FACILITY AND IDEAL FOR PRODUCT DEVELOPMENT, TEST WORK OR QUALITY CONTROL. LIKE ALL MORTON RIBBON BLENDERS SPECIAL DESIGN FEATURES CAN BE INCLUDED TO SUIT THE CUSTOMER'S REQUIREMENTS.



MORTON MIXERS & BLENDERS LIMITED

Atlantic Works, Newhouse Industrial Estate, Motherwell ML1 5SW, Scotland UK

Tel: 01698 732021

Telefax: 01698 732546

Web: www.morton-mixers.co.uk

Email: info@morton-mixers.co.uk